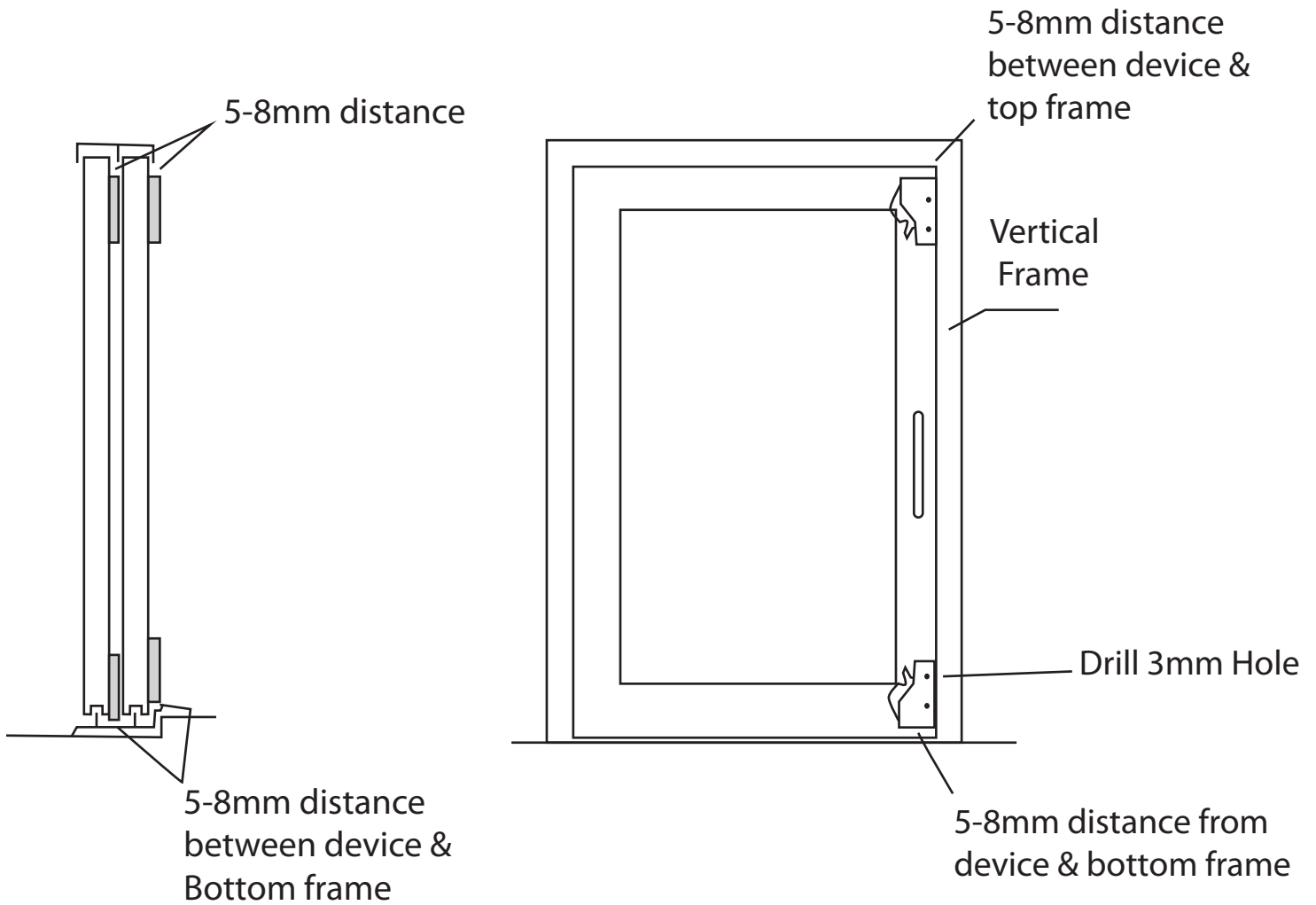


CAL[®] Tiger

Installation for Aluminium sliding doors



To fit Tiger, close the sliding door well. Place the long side of the Tiger against the vertical frame. Leave 5-8mm on the top or bottom horizontal frames for the teeth to engage.